



CPSFIX[®] IP67 Using material of high quality

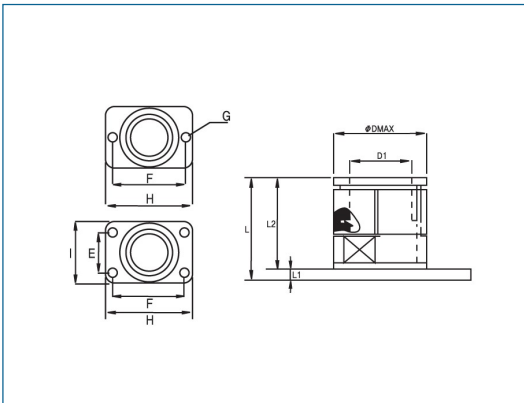
Connectors, Straight with flange (DIN 40424)

TNOC

TNOC Type



- Material: High Quality Polyamide6
- Protective: IP 67 (EN 60529)
- Temperature Range: -40°C to + 105°C
- Short Term: up to +150°C
- Self-Extinguishing: UL94-HB, UL94-Vo
Free of Halogen Phosphorous and cadmium
- Color: Black & Gray
- Application: Machine tool, Shipbuilding, Tramway
Industrial/ Automatic Machinery
Printing Machine etc.
Control Box with connector



- 재 질: 고품질 폴리아미드6
- 방 수 등 급: IP 67 (EN 60529)
- 적용온도범위: -40°C + 105°C
- 순간최대온도: +150°C
- 자기소화성: UL94-HB, UL94-Vo
Free of Halogen Phosphorous and cadmium
- 색 상: 검정색, 회색
- 적 용: 공작기계, 산업 기계, 자동 화기계
조선소, 전동차 등 컨트롤 패널 외부에
부착하기 위해 사용되는 커넥터.

품 번(Order No.)		치수(Dimensions in mm)										적용전선관 (for tube size)
Black	Gray	L ₁	L ₂	L	H	G	E	F	I	D	D ₁	
TNOC-12B	TNOC-12G	5	26	31	45	5.5	-	36.5	32	25	17	12
TNOC-16B	TNOC-16G	5	28	33	45	5.5	-	36.5	32	30	22	16
TNOC-22B	TNOC-22G	5.5	32	37.5	66.5	6.5	30.5	53.5	45	41	30	22
TNOC-28B	TNOC-28G	5.5	38	43.5	66.5	6.5	30.5	53.5	45	47	36	28
TNOC-36B	TNOC-36G	5.5	45	50.5	85.5	6.5	30.5	72.5	64	56	44	36
TNOC-48B	TNOC-48G	6	51	56.5	85.5	6.5	30.5	72.5	73	68	56	48